



Description

The FH-340 Horn allows for a number of applications on a single device. The horn settings include Temporal, Non-Temporal, March Time and a Chime sound. The horn also has Low, Mid and High volume settings for each pattern and tone. The tones include 2400 Hz, Electro-Mechanical, Broadband and Chime.

The voltage input can be either regulated DC or full wave rectified (FWR) 12 volt or 24 volt operation.

The FH-340 utilizes a universal mounting plate that will mount on a single gang, double gang, octagon and 4" square electrical boxes. Outdoor installations must use either the BB-206WP 4-inch square weatherproof bell backbox or the BBX-5 weatherproof backbox.

The back plate allows the installer to mount the plate and terminate the wire connections. The horn attaches in a hinge fashion from the top and is secured by a single mounting screw. The horn completely covers the mounting back plate, therefore it can be mounted before other trades work is completed and not affect the final look.

Engineering Specifications

The installer shall provide and install the FH-340 indoor/outdoor selectable horn. The horn shall have thirty-three (33) different settings. The horn shall be selectable for continuous (non-temporal), temporal (ANSI Code 3) and March Time patterns. The horns shall have a 2400 hertz, Electro-Mechanical, Broadband or a Chime tone.

Features

- UL and C-UL listed
- 33 sound output settings
- Horn or chime sound output
- Wall or Ceiling mount
- Indoor/outdoor listed. Outdoor installation requires a weatherproof backbox (ordered separately)
- Pre-wire back plate
- Universal back plate mounting (single gang, double gang, octagon, or 4" square)
- Single screw mounting

Each of the patterns and tones shall be selectable for a Low, Mid or High volume setting. The horn shall operate at 12 or 24 VDC regulated or full wave rectified. The horn shall have an operating range between 8 and 33 VDC. The horn shall utilize a mounting plate that allows the installer to pre-wire the mounting plate. The mounting plate shall be universal and mount on a single gang, double gang, octagon or 4 inch square box. If the horn is needed in a wet or outdoor installation, it shall be mounted on either a BB-206WP 4-inch square back box or a BBX-5 outdoor matching back box. The horn shall have a gasket on the back plate that seals the electrical connection of the terminal connection. The mounting plate shall be completely covered by the horn and shall be secured by a single screw. Operating temperature range will be 32°F to 120°F (0°C to 49°C) for indoor model and -40°F to 151°F (-40°C to 66°C) for outdoor model. The horn shall be UL listed to standard 464, Audible Signaling Devices. In addition, the device shall be C-UL listed to CAN-ULC S525.



S5375



Specifications

Non-Temporal Horn Current

Pattern	Volume	Max. RMS Operating Current (mA RMS Current)				dBA Reverberant Ratings per UL464 (dBA @ 10 ft.)		dBA Anechoic Ratings per CAN/ULC S525 (dBA @ 10 ft.)	
		Reg 12 VDC	Reg 12 FWR	Reg 24 VDC	Reg 24 FWR	Reg 12 VDC/FWR	Reg 24 VDC/FWR	Reg 12 VDC/FWR	Reg 24 VDC/FWR
2400 Hz	High	119	79	87	125	87	87	99	100
	Mid	44	46	28	74	82	82	94	96
	Low	30	30	18	41	79	80	92	92
Electro-Mechanical	High	118	77	81	121	86	87	100	100
	Mid	43	43	26	67	82	84	96	97
	Low	27	29	16	36	79	80	93	93
Broadband	High	146	125	78	148	86	86	101	102
	Mid	41	63	26	64	81	82	96	98
	Low	28	40	16	39	77	79	94	95
Chime	High	27	35	21	27	70	70	86	86
	Mid	11	15	8	13	62	62	79	80
	Low	9	11	7	12	58	57	75	75

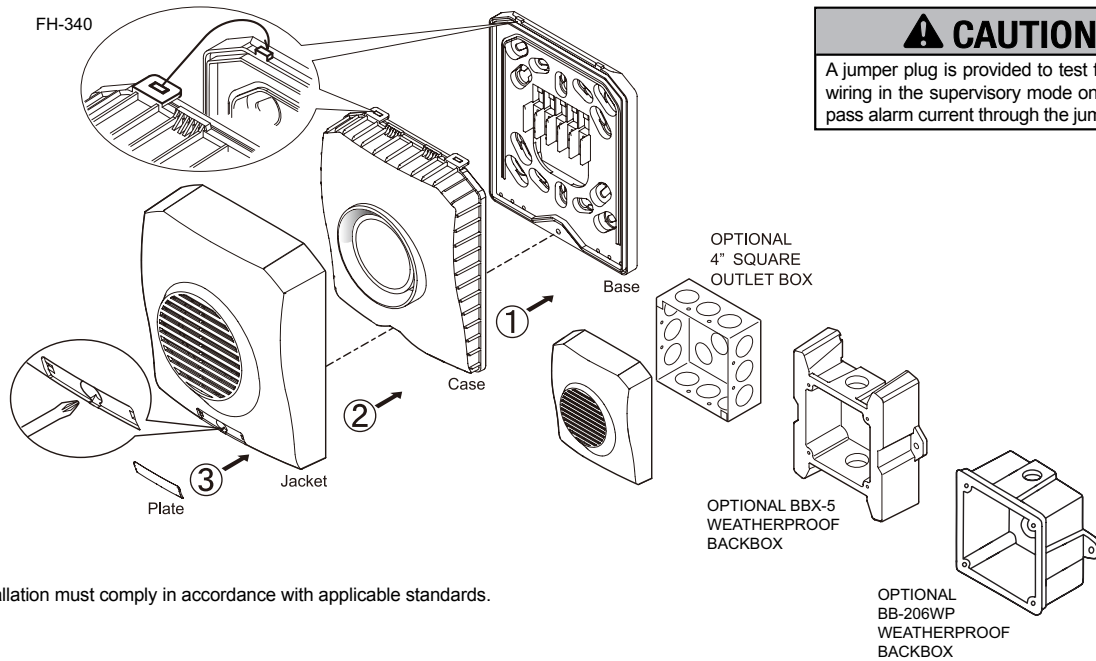
Temporal Horn Current

Pattern	Volume	Max. RMS Operating Current (mA RMS Current)				dBA Reverberant Ratings per UL464 (dBA @ 10 ft.)		dBA Anechoic Ratings per CAN/ULC S525 (dBA @ 10 ft.)	
		Reg 12 VDC	Reg 12 FWR	Reg 24 VDC	Reg 24 FWR	Reg 12 VDC/FWR	Reg 24 VDC/FWR	Reg 12 VDC/FWR	Reg 24 VDC/FWR
2400 Hz	High	124	70	87	132	82	82	100	100
	Mid	46	38	30	83	77	79	95	96
	Low	30	28	18	36	74	75	92	92
Electro-Mechanical	High	114	69	80	134	83	82	100	101
	Mid	42	40	27	67	78	80	95	96
	Low	28	27	16	36	75	76	93	93
Broadband	High	151	117	80	146	82	82	101	102
	Mid	45	59	26	73	77	78	97	98
	Low	30	42	16	31	75	76	94	95
Chime	High	29	35	21	28	68	70	86	86
	Mid	10	17	9	12	61	61	79	79
	Low	9	12	8	9	55	55	75	76

March Time Horn Current

Pattern	Volume	Max. RMS Current (mA RMS Current)				dBA Reverberant Ratings per UL464 (dBA @ 10 ft.)		dBA Anechoic Ratings per CAN/ULC S525 (dBA @ 10 ft.)	
		Reg 12 VDC	Reg 12 FWR	Reg 24 VDC	Reg 24 FWR	Reg 12 VDC/FWR	Reg 24 VDC/FWR	Reg 12 VDC/FWR	Reg 24 VDC/FWR
2400 Hz	High	121	70	92	132	83	84	99	100
	Mid	47	39	31	76	79	81	95	96
	Low	36	25	19	35	76	77	92	92
Electro-Mechanical	High	114	69	86	125	83	83	100	100
	Mid	42	37	27	67	80	81	95	96
	Low	30	26	19	37	77	77	92	93
Broadband	High	153	121	77	126	83	84	101	102
	Mid	42	55	28	56	79	80	97	98
	Low	29	42	16	26	76	77	94	95

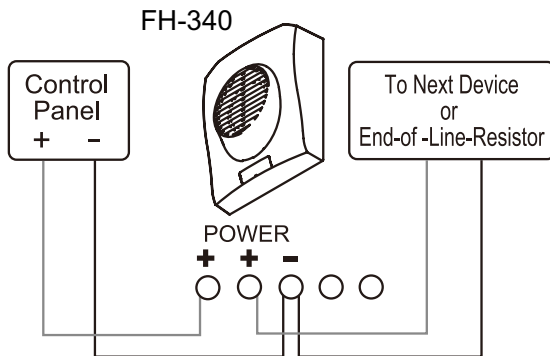
Installation



CAUTION
A jumper plug is provided to test for correct wiring in the supervisory mode only. Do not pass alarm current through the jumper.

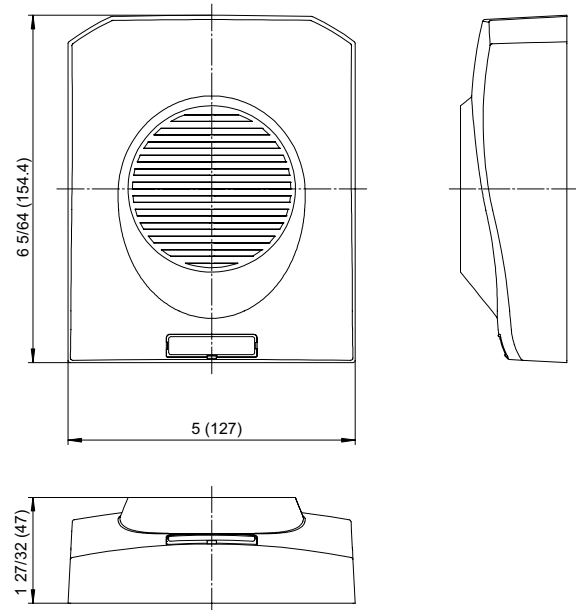
Note: Installation must comply in accordance with applicable standards.

Wiring Diagram



Dimensions

Inches (mm)

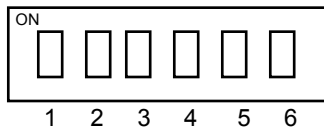


Dipswitch Settings

Horn Dipswitch

Pattern

- 1 ON - Non-temporal
- 1 OFF - Temporal
- Both 2 = OFF
- 1 and 2 ON = March Time



Tone

- 3 and 4 ON = 2400Hz
- 3 ON and 4 OFF = Electromechanical
- 3 and 4 OFF = Chime
- 3 OFF and 4 ON = Broadband

Volume

- 5 and 6 ON = High
- 5 ON and 6 OFF = Mid
- 5 and 6 OFF = Low

Specifications

Voltage	12/24V	
UL Designation	Regulated 12 DC/FWR	Regulated 24 DC/FWR
Operating Voltage Range	8 - 17.5V	16 - 33V
Sync Module (SDM-240)	N/A	Available
Operating Temperature Range	Indoor model: 32°F to 120°F (0°C to 49°C) Outdoor: -40°F to 151°F (-40°C to 66°C)	

Ordering Information

Model Number	Description
FH-340R	Wall Mount Horn, Red
FH-340W	Wall Mount Horn, White
BBX-5R	Weatherproof Backbox, Red