

30" X 30" X 8"

FIRE HOSE CABINET SURFACE

STANDARD CONSTRUCTION FEATURES:

- Full Glass door (23" x 23" Panel Opening)
 - Stainless Steel Paddle Latch
 - Baked Enamel Finish (Grey or White)
- Accommodates: 1 1/2" & 2 1/2" Valve
75' - 100' Rack Hose
5 - 10lb Dry Chemical Fire Extinguisher
- Front complete with Full Length piano hinge (14 ga. Construction)
 - Universal Standpipe Knockouts (2" & 3")
 - Tub (18 ga. Construction)

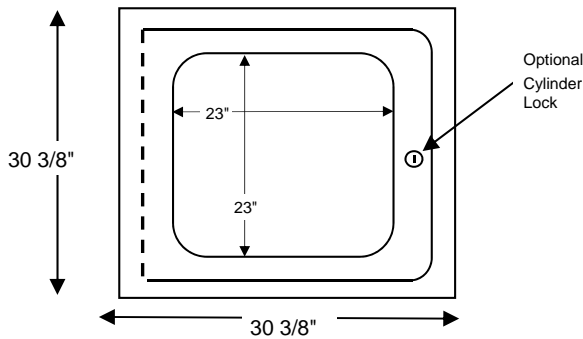


OPTIONS:

- 304 & 316 Stainless Steel Tub & Front (#4 Satin or #8 Mirror Finished Avail.)
- Break Glass Lock Assembly
- Full Metal Door

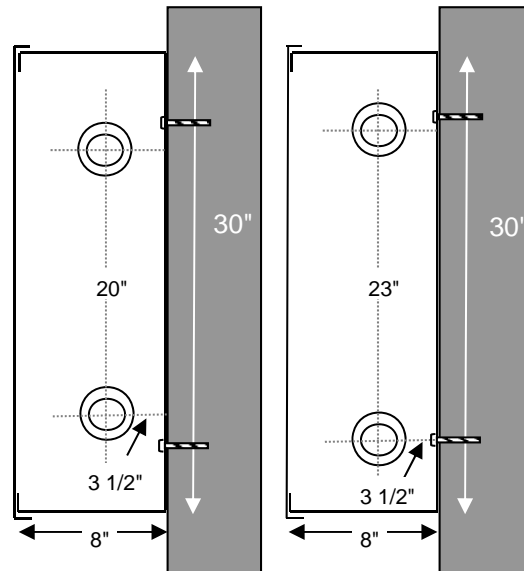
FRONT

(Complete with Piano Hinge)



SIDE (1)

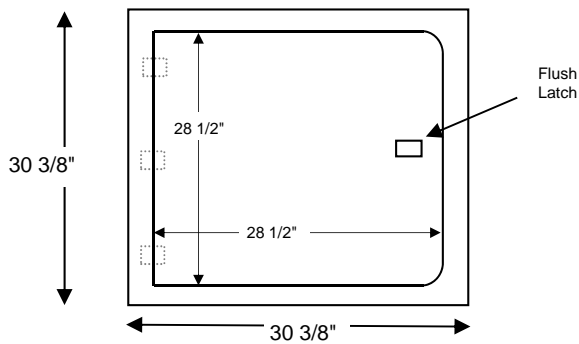
SIDE (2)



OPTIONAL STAINLESS STEEL FRONT

(Complete with Invisible SOSS Hinges & Full Metal Panel)

* Full Metal Door Shown



MADE IN CANADA

1455 Rue Pitfield, Saint-Laurent, QC, H4S 1G3
T : 514 333 3389 / F: 514 333 1887 / www.cfhsecurite.com

